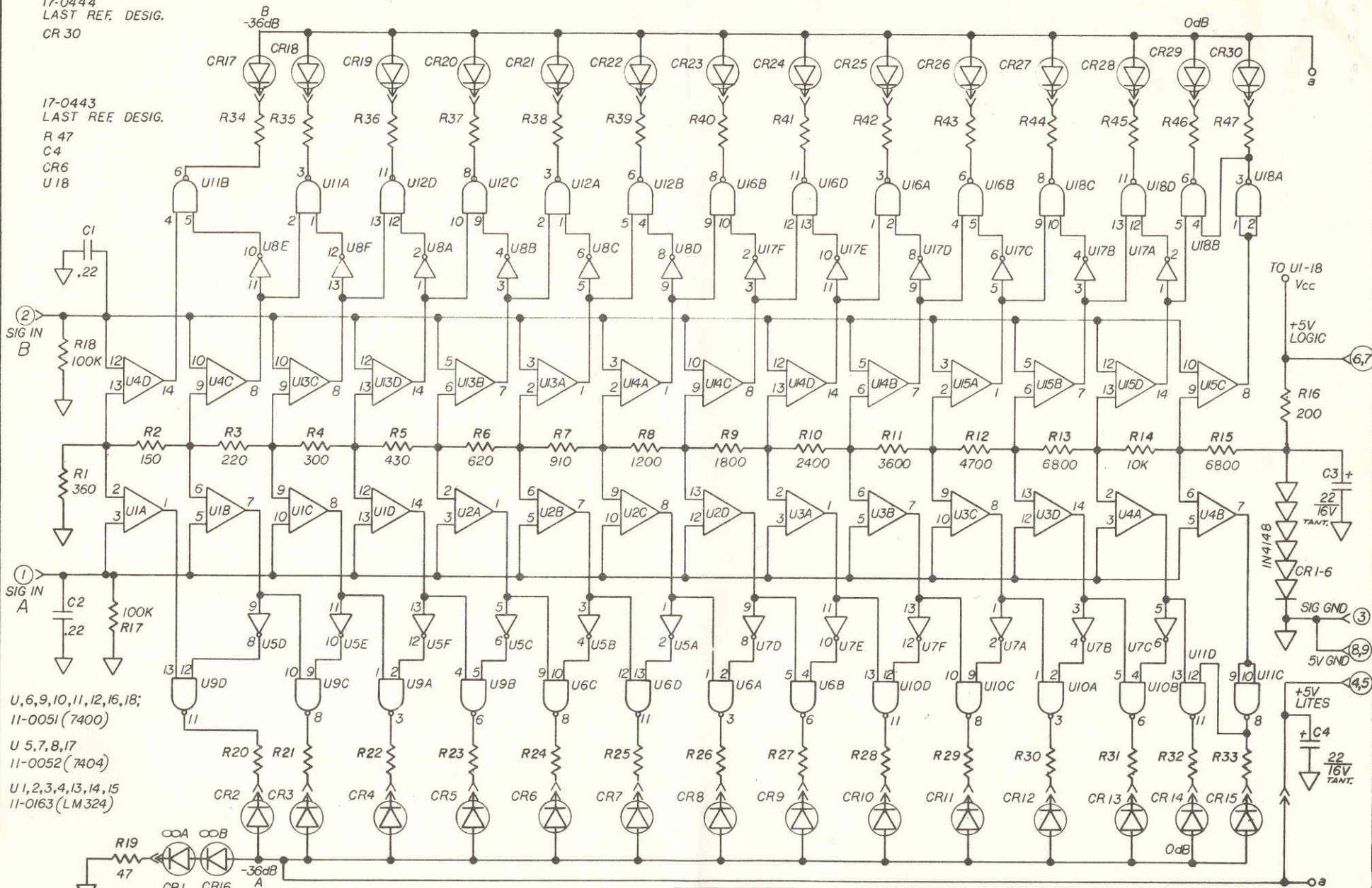


17-0444
LAST REF. DESIG.
CR 30

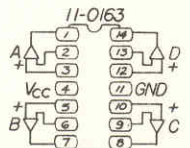
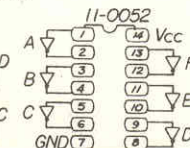
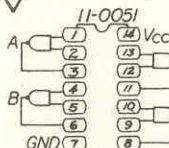
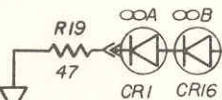
17-0443
LAST REF. DESIG.
R 47
C 4
CR 6
U 18



U, 6, 9, 10, 11, 12, 16, 18;
11-0051 (7400)

U 5, 7, 8, 17
11-0052 (7404)

U 1, 2, 3, 4, 13, 14, 15
11-0163 (LM 324)

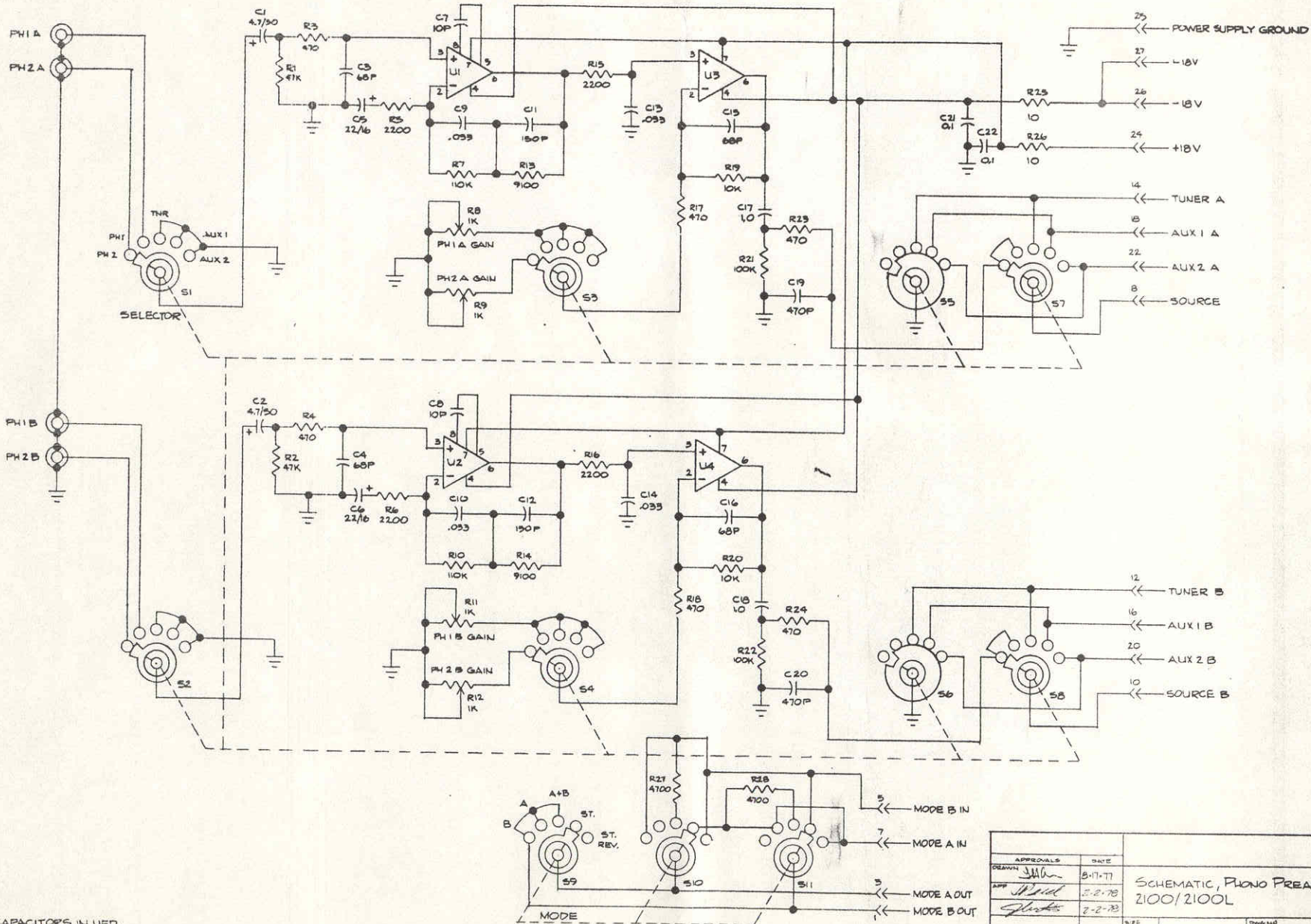


TOP VIEW
TYP

UNLESS OTHERWISE SPECIFIED DIMENSIONS ARE IN INCHES TOLERANCES ARE: FRACTIONS DECIMALS ANGLES ± .XXX ± ±		CONTRACT NO.	22-0149 P.C.BD. ASSY.	
MATERIAL		APPROVALS	DATE	
FINISH		CHECKED	DATE	
NEXT ASSY		USED ON	L.E.D. LIGHT ASSY DRIVE & DISP 2100L	
APPLICATION		DO NOT SCALE DRAWING		SIZE CODE IDENT NO. DRAWING NO. 17-0443 17-0444
SCALE		SHEET OF		

LAST REFERENCE DESIGNATION

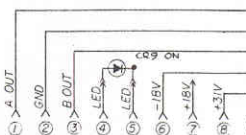
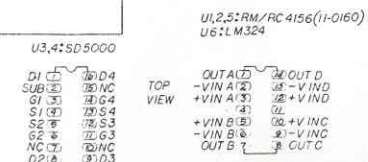
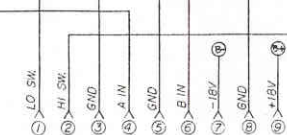
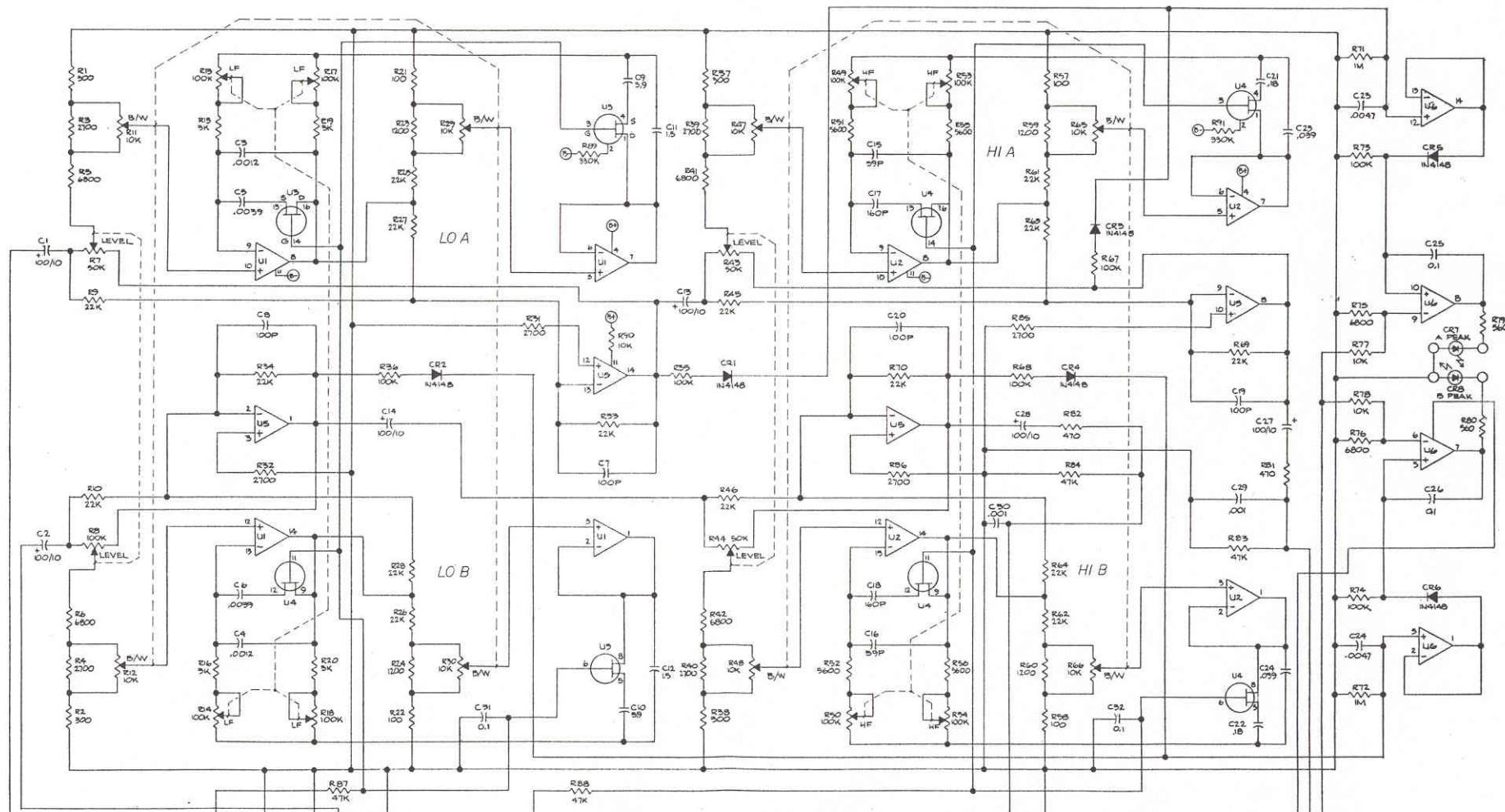
C22	R2B	S11	U4
-----	-----	-----	----



2, CAPACITORS IN UFD.
 1, RESISTOR IN Ω, 1/4 W, 5%.

NOTES:

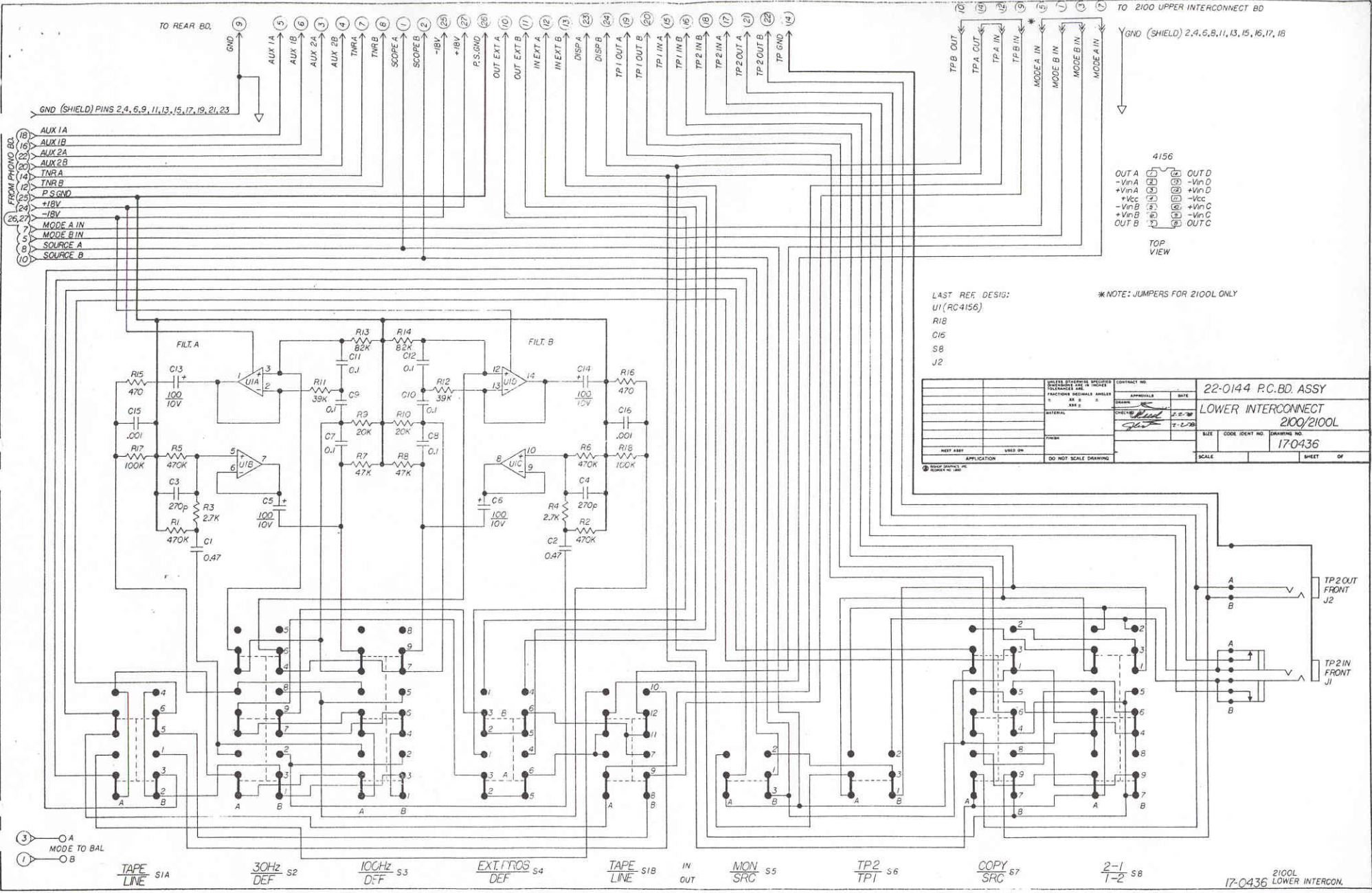
APPROVALS		DATE	SCHEMATIC, PIANO PREAMP 2100/2100L
DESIGNER	<i>[Signature]</i>	5-17-77	
APP	<i>[Signature]</i>	5-21-78	
	<i>[Signature]</i>	2-2-78	
REV	C		



3. LOST REF DESIG: U15, R91, CR9, C32
 2. CAPACITORS IN UFD3
 1. RESISTORS IN OUM5, 1/4W, 5%.

UNITED GENERAL SERVICES		CONTRACT NO.	
DESIGNER'S USE IN REVISIONS		APPROVAL	
FACTORY ORIGINAL NUMBER		DATE	
REV. 1		8-9-77	
MATERIAL		17-2-78	
FINISH		17-2-78	
DO NOT SCALE DRAWING		SCALE	
ID		DRAWING NO.	
B		17-0455	
SCALE		SHEET 1 OF 1	

22-0153 P.C.B.D. ASSY.
 PARA EQ. 2100



TO REAR BD.

TO 2100 UPPER INTERCONNECT BD
 GND (SHIELD) 2,4,6,8,11,13,15,16,17,18

GND (SHIELD) PINS 2,4,6,9,11,13,15,17,19,21,23

- FROM PHONO BD.
- 18 AUX 1A
 - 16 AUX 1B
 - 22 AUX 2A
 - 20 AUX 2B
 - 14 TNRA
 - 12 TNRB
 - 25 P.S.GND
 - 24 +18V
 - 26,27 -18V
 - 7 MODE A IN
 - 5 MODE B IN
 - 8 SOURCE A
 - 10 SOURCE B

- 4156
- OUT A (1) OUT D (2)
 - Vin A (3) -Vin D (4)
 - +Vin A (5) +Vin D (6)
 - Vin B (7) -Vcc (8)
 - +Vin B (9) +Vin C (10)
 - Vin C (11) -Vin C (12)
 - OUT B (13) OUT C (14)

TOP VIEW

LAST REF DESIG:
 U1 (RC4156)
 R18
 C16
 S8
 J2

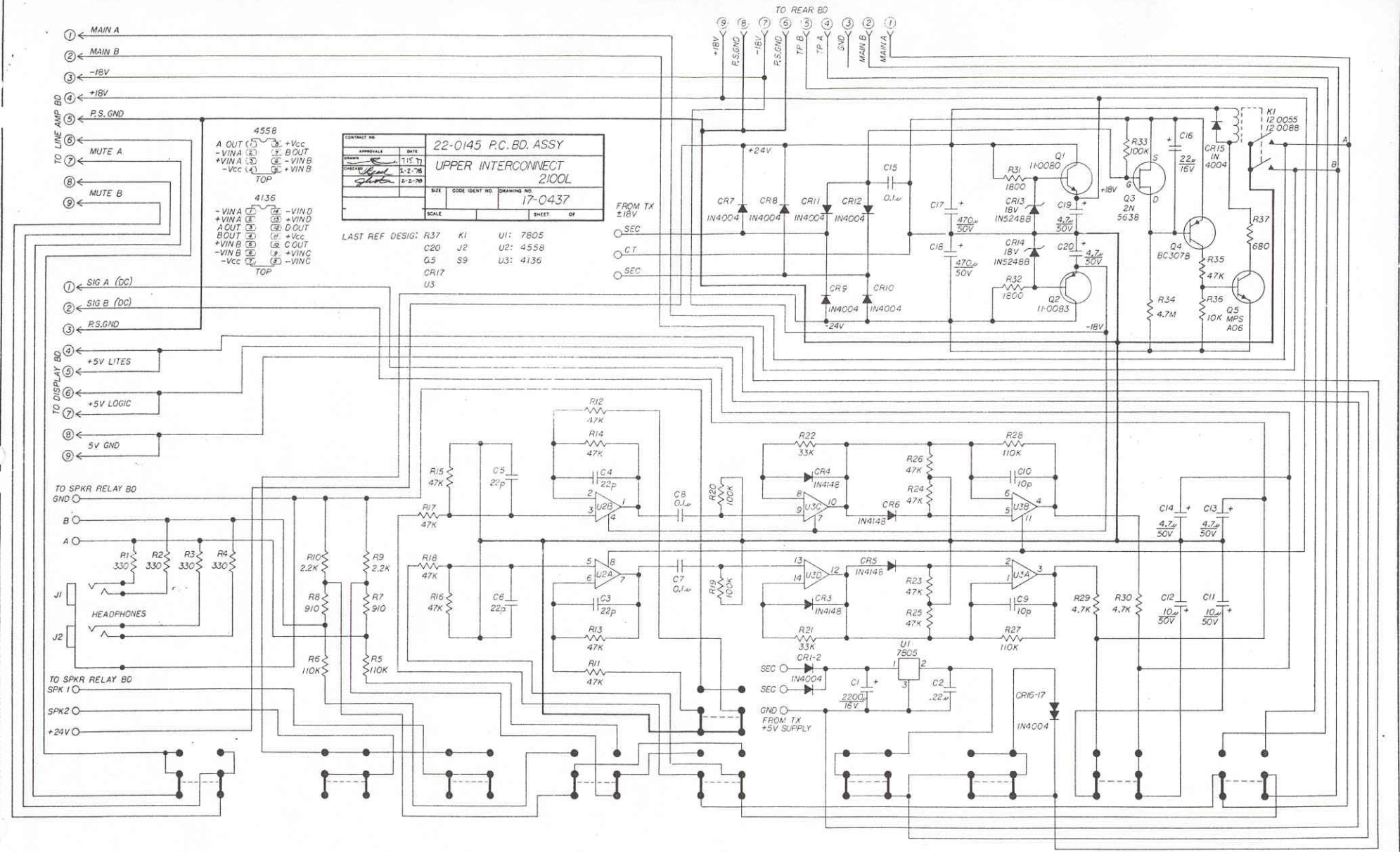
*NOTE: JUMPERS FOR 2100L ONLY

UNLESS SPECIFIED OTHERWISE TOLERANCES ARE AS SHOWN		CONTRACT NO.		22-0144 P.C. BD. ASSY	
FACTORY SERIAL NUMBER		DATE	17-0436		
DRAWN		7-1-78	LOWER INTERCONNECT		
INTERNAL		CHECKED	2100/2100L		
FINISH		7-1-78	DRAWING NO.		
NEXT ASSY		DO NOT SCALE DRAWING		17-0436	
APPLICATION		SCALE		SHEET OF	

3 ○ A
 1 ○ B
 MODE TO BAL

TAPE LINE S1A 30HZ DEF S2 100HZ DEF S3 EXT. FROS DEF S4 TAPE LINE S1B IN OUT MON SRC S5 TP2 TPI S6 COPY SRC S7 2-1 1-2 S8

2100L LOWER INTERCON.
 17-0436



CONTINUED NO.		22-0145 P.C. BD. ASSY	
APPROVALS	DATE	UPPER INTERCONNECT	
DESIGNED	11-15-71	2100L	
CHECKED	11-17-70	DRAWING NO. 17-0437	
SCALE		CODE IDENT NO.	SHEET OF
LAST REF DESIG:		R37 K1 U1: 7805	
		C20 J2 U2: 4558	
		G5 S9 U3: 4136	
		CR17 U3	

- 12dB s1
NORM
- SPKR 2 s2
OFF
- SPKR 1 s3
OFF
- 4n s4
8n
- PWR s5
NCRM
- CFF s6
ON
- DIM s7
NCRM
- PK s8
AVG
- TAPE s9
LINE
- 17-0437
UPPER INTERCON.
2100L